

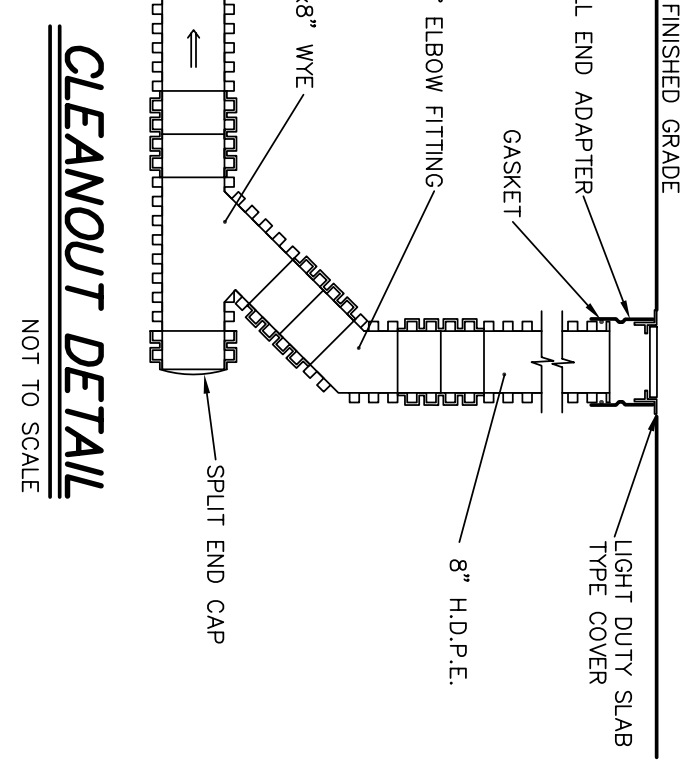
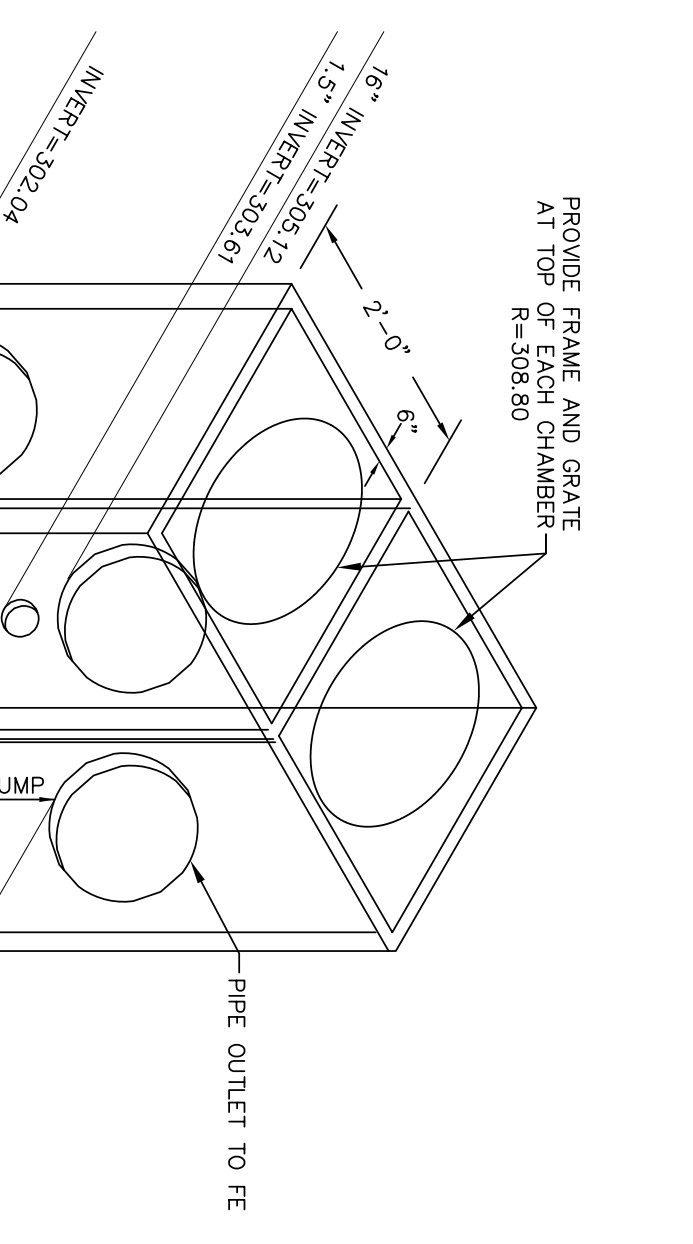
SEDIMENT BASIN

WATER QUALITY BASIN

OVERFLOW BASIN

**STORMWATER POLLUTION PROTECTION SURFACE SAND FILTER DETAIL**  
(FOR SWPPP AREA No.2)

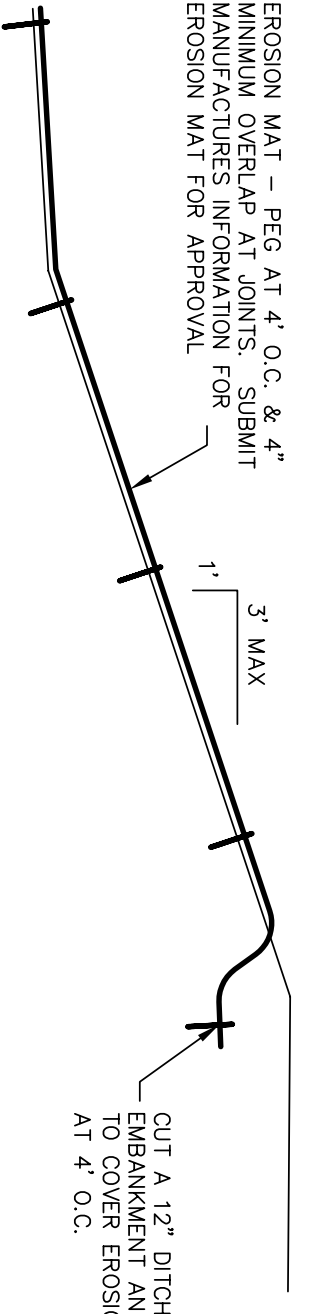
NOT TO SCALE



CLEANOUT DETAIL

**STABILIZED SLOPE DETAIL**

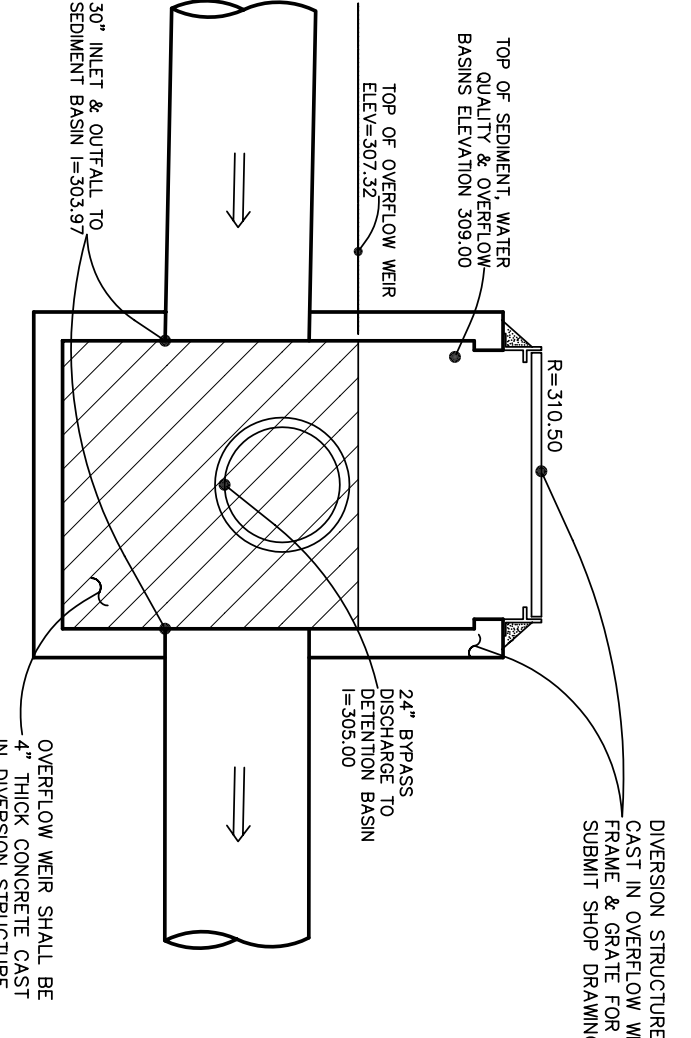
NOT TO SCALE



NOTE:  
USE THIS DETAIL AS REQUIRED TO STABILIZE SLOPES DURING CONSTRUCTION OF AND UPON COMPLETION OF CLEARING AND GRADING TO PREVENT EROSION OF SLOPES.

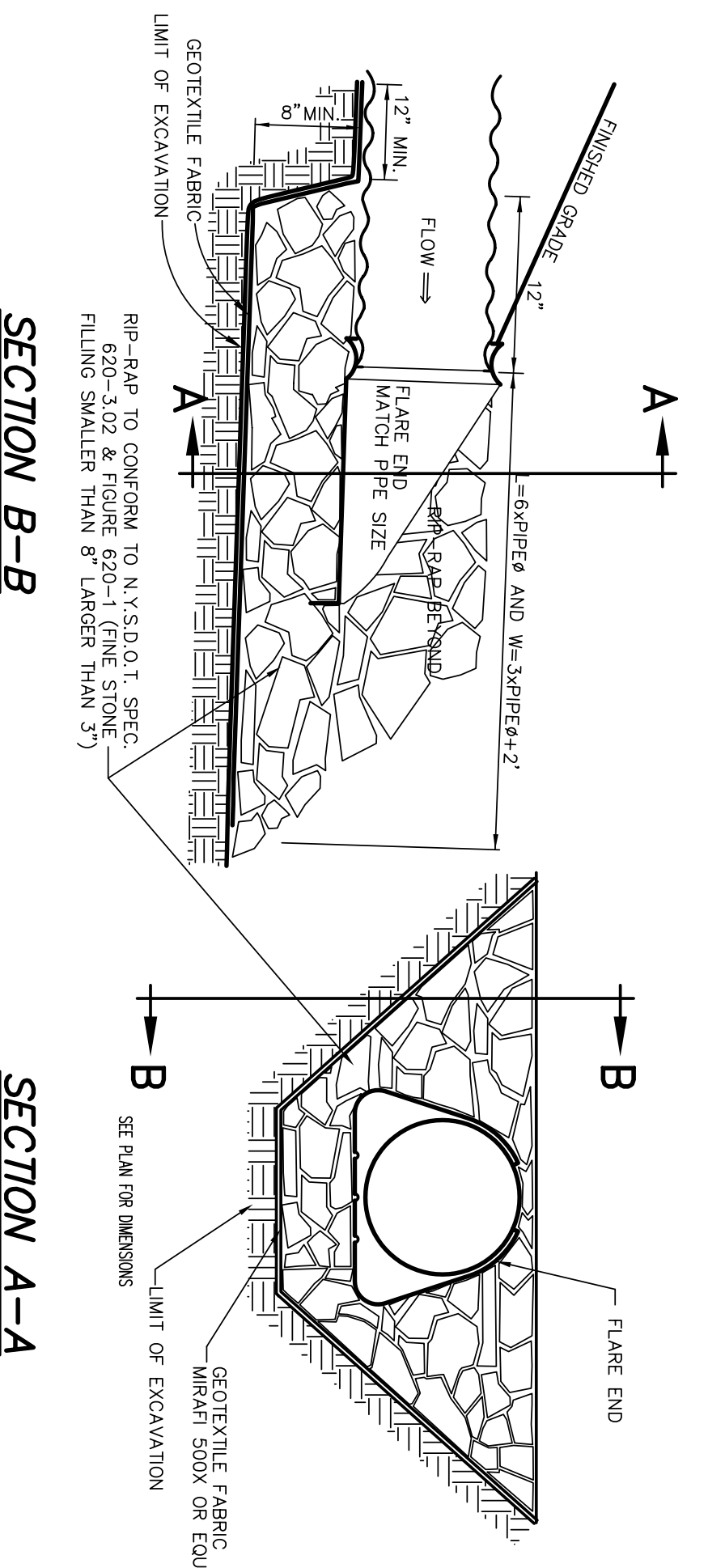
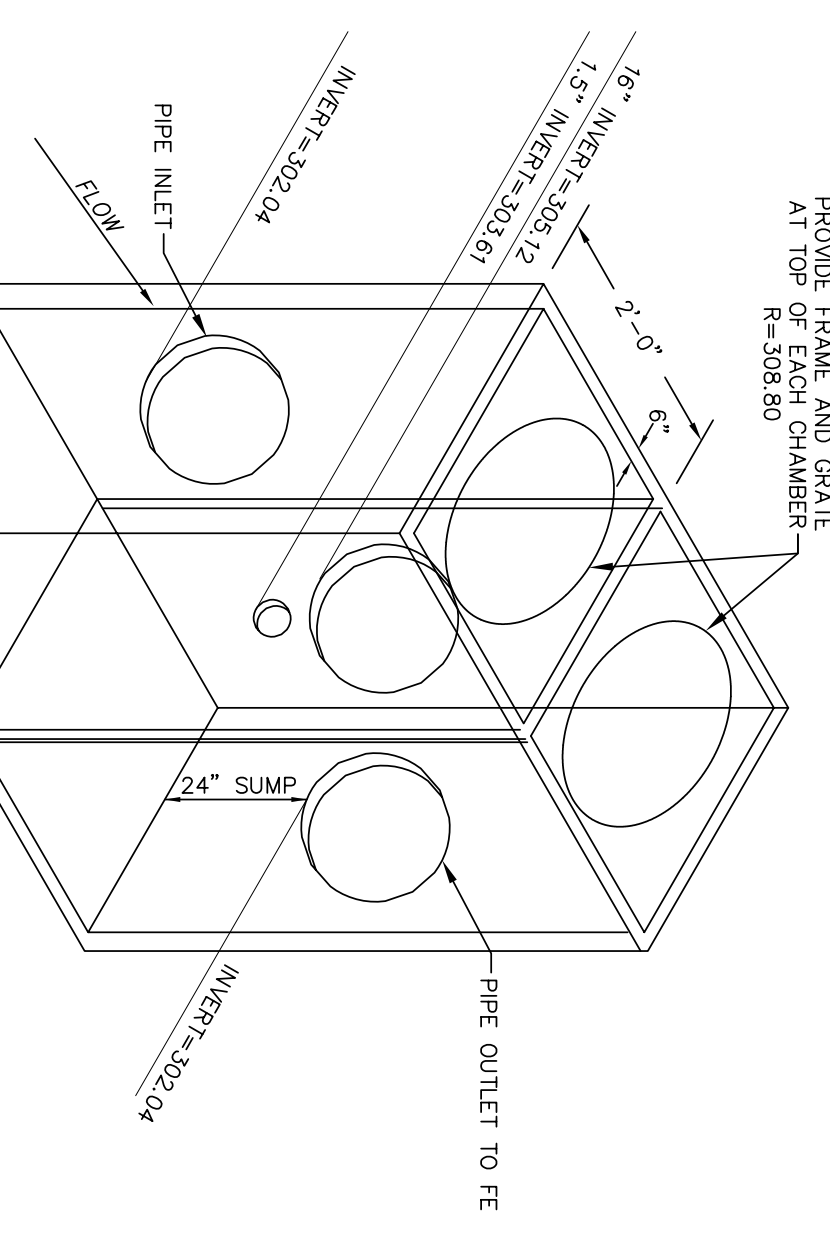
**DIVERSION STRUCTURE DETAIL**

NOT TO SCALE



**ORIFICE CONTROL STRUCTURE 'A' (OC3A) DETAIL**

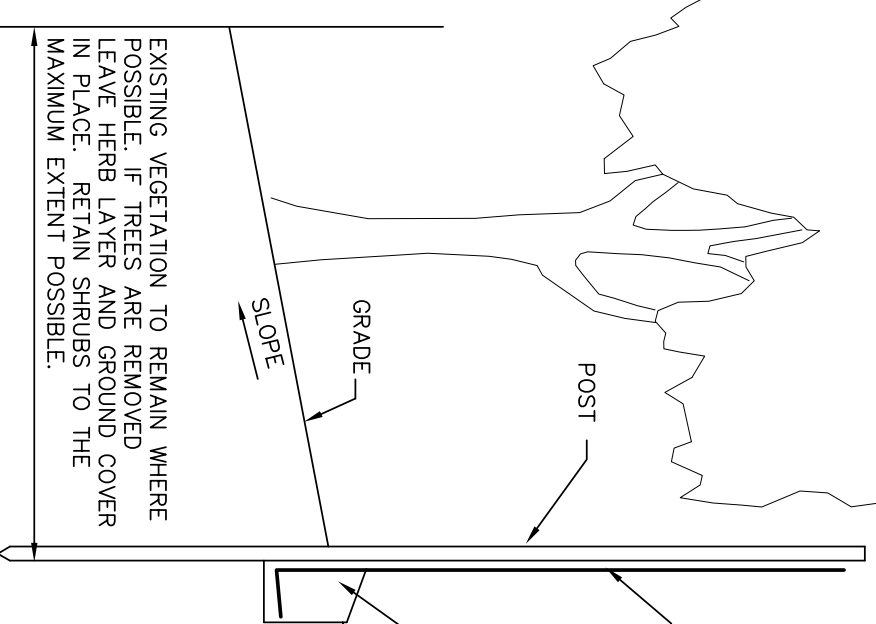
NOT TO SCALE



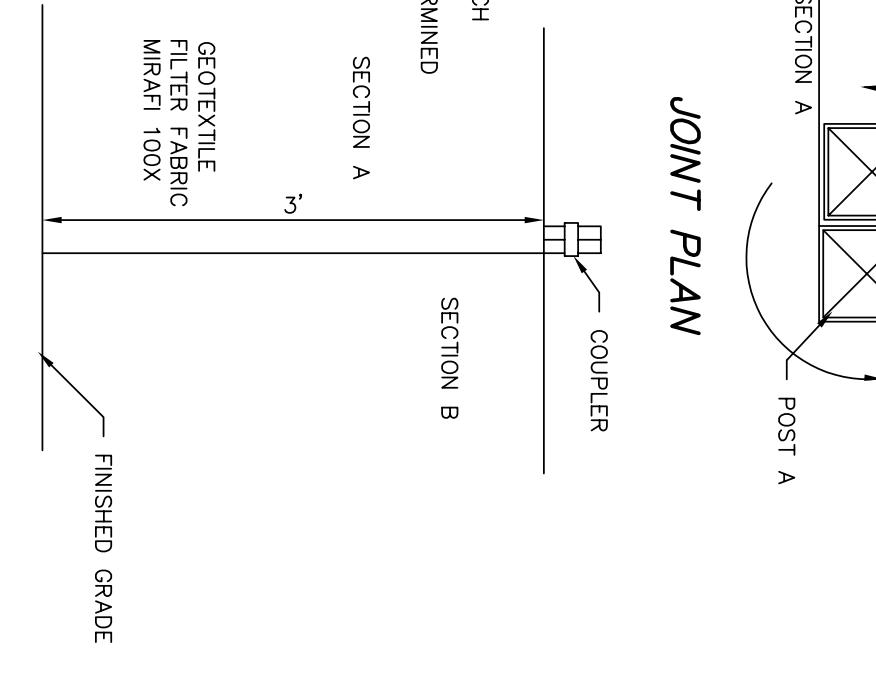
SECTION A-A

SECTION B-B

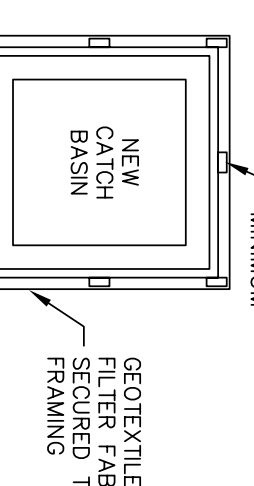
FLARE END SECTION DETAIL



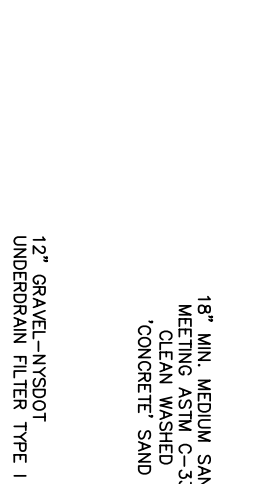
SECTION



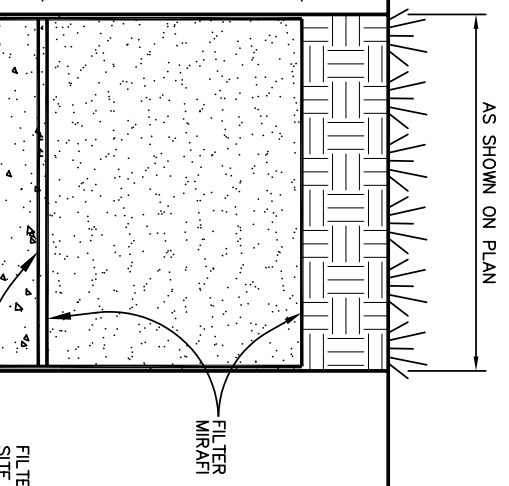
JOINT ELEVATION



PLAN



SECTION



SECTION



SECTION

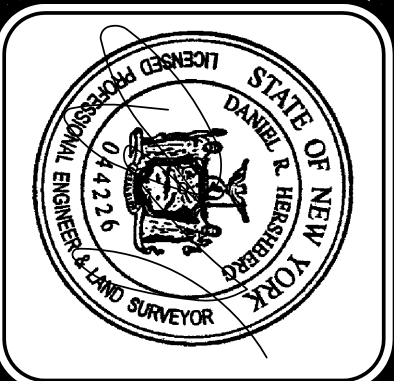
TOWN OF NEW SCOTLAND  
PLANNING BOARD APPROVAL

ALBANY COUNTY HEALTH DEPARTMENT APPROVAL

PRELIMINARY PLAT

FOR MUNICIPAL APPROVAL ONLY-NOT INTENDED FOR CONSTRUCTION

REVISIONS	REMARKS	DATE
	GENERAL REVISIONS	1/28/08



**HERSBERG & HERSBERG**  
Consulting Engineers  
and Land Surveyors  
18 Locust Street  
Albany, New York 12203

ALTERNATION OF THIS DOCUMENT EXCEPT BY A LICENSED PROFESSIONAL ENGINEER OR LAND SURVEYOR IS ILLEGAL.